

# POS X

POINT OF SALE  
PERFECTED

## XPC600 SERIES

FANLESS ALL-IN-ONE TOUCHPC

Designed to be seen and not heard, the XPC600 offers cutting edge performance and rock-solid stability. Grease, lint, and dirt are no longer an issue due to its fanless design. The XPC600's solid die-cut aluminum heatsink encompasses the entire backside of the unit, allowing for cooler operating temperatures at higher CPU speeds. Perfect for Restaurants or any location where noise is at a premium, the XPC600 is the system of choice in Fanless technology.



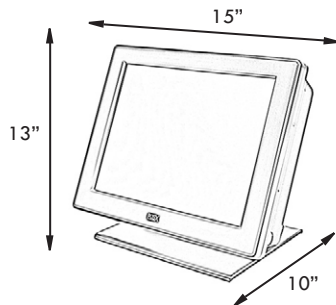
### KEY FEATURES

- CPU: Intel 2.0GHz Celeron M
- Memory: 1GB ~2GB DDR II RAM
- Optional integrated MSR and Customer Display
- Rugged spill resistant metal housing
- Bump-free 90-degree tilting base
- Silent fanless operation
- Additional VGA output
- 3 year warranty

ALL-IN-ONE TOUCHPC

# XPC600 Series Specifications

<b>PART NUMBER</b>	XPC600-C
<b>MOTHERBOARD</b>	960 GLE 533 MHz FSB
CPU	2.0 GHz Celeron M
Chip Set	VIA VN800
System Memory	1 GB ~2GB DDR II 533 MHz
Video	VN800 Integrated Graphics Max 64 MB
Audio	VIA VT1613 AC'97 chip on-board
<b>PORTS</b>	
USB	4 x USB2
Serial/Com	4 x RS232 optional configurable powered 5V, 12V by Jumper D-Sub 9 Pin Male
Parallel	Supports SPP/ECP/EPP mode D-sub 25-pins Female
LAN	1 10/100M RJ45 Wake-From-LAN Support
2nd VGA	1 x 15 pin D-Sub Female
Cash Drawer	2x RJ12 Cash Drawer port 12v/24v
Mouse	1 x PS/2
Keyboard	1 x PS/2
Audio Out	1 x 3.5mm Audio-Jack
Mic	1 x 3.5mm Audio-Jack
<b>HARD DRIVE</b>	1 x 2.5" 160 GB
<b>PHYSICAL</b>	
Housing	Die Cut Aluminum Basket, ABS Bezel
Weight with Base	19 lbs
Dimensions with Base	15" (W) x 10.0" (D) x 13" (H)
Dimensions without Base	15" (W) x 3.5" (D) x 12" (H)
Tilt Angle	0° to 90°
Optional Mounting	VESA 75 x 75 mm
Housing Color	Black
LCD Display	15" 1024 x 768 pixel, 16.7M colors 250 nit
Touch Screen	5-Wire Resistive, 35+ million taps per location
<b>ELECTRICAL</b>	200W
<b>ENVIROMENTAL</b>	
Temperature	32° F to 114° F operating
Humidity	10% - 95% non-condensing
Shock Resistance	Operating shock 5g
<b>WARRANTY</b>	3 Year Limited
<b>CERTIFICATIONS</b>	FCC Class A, CE, RoHs
<b>OPERATING SYSTEM</b>	None/ WIN 2000/WIN 2000 Professional/XP Embedded/XP Home/XP Professional/VISTA



## ACCESSORIES

XM130U	3 Track MSR with USB interface
XM135U-BIO	3 Track MSR with USB interface & Fingerprint Authentication
XP2200S	Integrated Customer Display